

POWER YOUR FUTURE

Cummins Generator LG600C

KTA38-G2

Prime Power: 600KW/750KVA

Standby Power: 660KW/825KVA



GENERATING POWER SOLUTIONS

Increased availability for new operations

Reliable, robust and versatile generator.
Ready to deliver power for a next job.

Increased uptime during operations

Once installed on the end-user-site, the generator will be ready to run: "peace of mind" operation.

Reduced transport and installation costs

The compact and robust design with integrated transport features enables faster and safer transport and installation.

Reduced service & maintenance costs

Longer service intervals.
Quicker and more efficient service jobs.

Premium resale value

Designed and built to last.

SAFETY

- Operate safely in accordance with proper operation manual.
- To prevent trouble and accidents, perform daily and preventive maintenance checks without fail.

Cummins Series

25KVA--2000KVA



FUAN LONGKAI POWER CO.,LTD.

Headquarters:

Add: Wei 5 Road, Tiehu Industrial Zone, Fuan, Fujian, China

Tel: +86-0593-6309773 Fax: +86-0593-6586988

E-mail: sales@longkaipower.com

Web: www.longkaipower.com

Technical Data

LG600C

Model	LG600C	
Rated prime power	kva	750
Rated standard power	kva	825
Rated voltage line to line	V	400/230
Rated current	A	1083
Maximun sound level	dB(@7m)	≤102

Engine-DCEC Cummins

Model	KTA38-G2	
Aspiration	ake, 60°V type 12 cylinder	
Fuel system	PT type	
No. cylinders	V 12	
Displacement	Liquid	38
Bore*Stroke	mm	159*159
Compression ratio	14.5:1	
Rated speed	r/min	1500
Rated net power(with fan)	Kw	664
Governor type	EFC Electrical	
Start Motor	V	24

Exhaust System

Exhaust gas flow	L/s	2398
Exhaust gas temp	°C	541
Max back pressure	kPa	10

Aspiration System

Max inlet pressure	kPa	100
Allow intake resistance	kPa	6.23-3.74
Air flow	L/s	850

Fuel System

100% load(Prime power)	Kg/h	142
75% load(Prime power)	Kg/h	109
50% load(Prime power)	Kg/h	77
Fuel tank capacity	L	1500
	(External Fuel Tank)	

Lubrication System

Oil capacity	L	135.1
Oil consumption	g/kwh	≤4
Oil pressure	kPa	138
	(continuous operation)	

Cooling System

Coolant capacity	L	123.8
Thermostat operation range	°C	82-93
Max water temperature	°C	104

Alternator

Model	LONGKAI	LK634B
	STAMFORD LVI634B-S5L1D-H4	
Phase	3	
Voltage	V	400/230
Wiring Type	3 Phase 4 wire, Y type	
Bearing	1	
Power factor	0.8	
Frequency	Hz	50
Prime power	KW	600
Exciter Type	Brushless, self-excitation	
Voltage regulation	%	±0.5
Protection Grade	IP 23	
Insulation grade	H/H	
Altitude	m	≤1000

Controller-DEESEA

Model	DSE6120MK3
-------	------------

Protective functions:

- Low oil pressure
- High water temperature
- High/low voltage
- High Engine Temperature and Overspeed.
- Voltage regulator frequency regulator
- Emergency stop
- Start failure



Control Module Options



- Auto generator control module
- Control module with " Three Remote Control" functions
- ATS auto load transfer screen
- Synchronising control modules
- Power output cabinet

Standard Features

- Engine(CCEC Cummins)
- Radiator 50°C max,fans are driven by bel
- 24V charge alternator
- Alternator: single bearing alternator IP23, insulation class H/H
- Standard auto control system
- One set of air filter, fuel filter, oil filter
- Main line circuit breaker/MCCB
- Base fuel tank
- Two 24V batteries, rac and cable
- Exhaust system(Ripple flex exhaust pipe, exhaust siphon, flange, muffler)
- User manual

Options

- Battery charge
- Engine heater
- Alternator heater
- PMG
- Water oil separator
- Daily fuel tank
- Remote control panel
- Automatic transfer switch/ATS
- Switch box
- Standard: ● Options:○

Warranty*

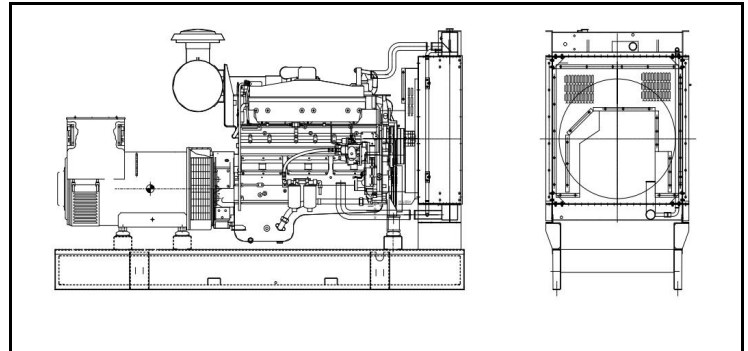
Cummins Engine

12 months from date of purchase and 1000 hours.

Generator

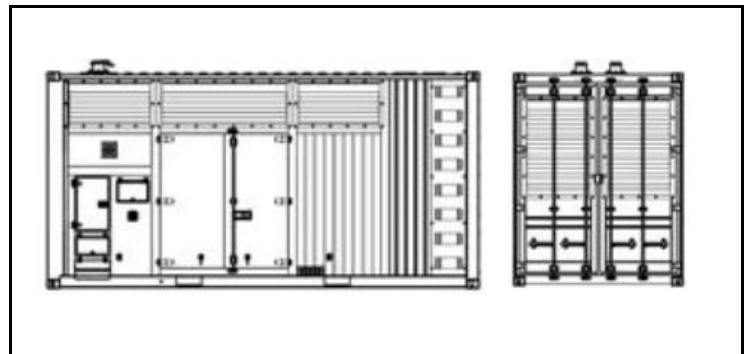
12 months from date of purchase or 1000 hours (whichever occurs first).

Unit Dimensions(Basic unit)



Open Type

L*W*H	mm	4400*1760*2250
Weight	kg	4706



Silent Type(Standard 20'ft container)

L*W*H	mm	6058*2438*2591
Weight	kg	11500