

**POWER YOUR FUTURE**

**Weichai Generator  
LG1800WP**

**12M55D2210E310**

**Prime Power: 1800KW/2250KVA**

**Standby Power: 1980KW/2475KVA**



## **GENERATING POWER SOLUTIONS**

### **Increased availability for new operations**

Reliable, robust and versatile generator.  
Ready to deliver power for a next job.

### **Increased uptime during operations**

Once installed on the end-user-site, the generator will be ready to run: "peace of mind" operation.

### **Reduced transport and installation costs**

The compact and robust design with integrated transport features enables faster and safer transport and installation.

### **Reduced service & maintenance costs**

Longer service intervals.  
Quicker and more efficient service jobs.

### **Premium resale value**

Designed and built to last.

#### **SAFETY**

- Operate safely in accordance with proper operation manual.
- To prevent trouble and accidents, perform daily and preventive maintenance checks without fail.

**Weichai Baudouin Series**

**500KVA--42000KVA**



**FUAN LONGKAI POWER CO.,LTD.**

#### **Headquarters:**

Add: Wei 5 Road, Tiehu Industrial Zone, Fuan, Fujian, China

Tel: +86-0593-6309773 Fax: +86-0593-6586988

E-mail: sales@longkaipower.com

Web: www.longkaipower.com

## Technical Data

LG1800WP

| Model                      | LG1800WP |         |
|----------------------------|----------|---------|
| Rated prime power          | kva      | 2250    |
| Rated standard power       | kva      | 2475    |
| Rated voltage line to line | V        | 400/230 |
| Rated current              | A        | 3248    |
| Maximun sound level        | dB(@7m)  | ≤100    |

### Engine-Weichai

|                           |   |         |
|---------------------------|---|---------|
| Model                     | 12M55D2210E310                            |         |
| Aspiration                | Turbocharging and intercooling            |         |
| Fuel system               | Mechanical Pump+Electronic Speed Governor |         |
| No. cylinders             | V12                                       |         |
| Displacement              | Liquid                                    | 65.65   |
| Bore*Stroke               | mm  | 180*215 |
| Compression ratio         | 16.5:1                                    |         |
| Rated speed               | r/min                                     | 1500    |
| Rated net power(with fan) | Kw  | 1989    |
| Governor type             | EFC Electrical                            |         |
| Start Motor               | V   | 24      |

### Exhaust System

|                   |     |      |
|-------------------|-----|------|
| Exhaust gas flow  | L/s | 9983 |
| Exhaust gas temp  | °C  | 740  |
| Max back pressure | kPa | 15   |

### Aspiration System

|                         |     |      |
|-------------------------|-----|------|
| Max inlet pressure      | kPa | ≤3   |
| Allow intake resistance | kPa | /    |
| Air flow                | L/s | 9591 |

### Fuel System

|                        |      |      |
|------------------------|------|------|
| 100% load(Prime power) | kg/h | 408  |
| 75% load(Prime power)  | kg/h | /    |
| 50% load(Prime power)  | kg/h | /    |
| Fuel tank capacity     | L    | 3500 |

### Lubrication System

|                        |       |     |
|------------------------|-------|-----|
| Oil capacity           | L     | 50  |
| Oil consumption        | g/kwh | 107 |
| Oil pressure           | kPa   | 138 |
| (continuous operation) |       |     |

### Cooling System

|                            |    |       |
|----------------------------|----|-------|
| Coolant capacity           | L  | 96    |
| Thermostat operation range | °C | 82-92 |
| Max water temperature      | °C | 103   |

### Alternator

|                    |                            |                    |
|--------------------|----------------------------|--------------------|
| Model              | LONGKAI<br>STAMFORD        | LK544G<br>S7L1D-H4 |
| Phase              | 3                          |                    |
| Voltage            | V                          | 400/230            |
| Wiring Type        | 3 Phase 4 wire, Y type     |                    |
| Bearing            | 1                          |                    |
| Power factor       | 0.8                        |                    |
| Frequency          | Hz                         | 50                 |
| Prime power        | KW                         | 1989               |
| Exciter Type       | Brushless, self-excitation |                    |
| Voltage regulation | %                          | ±0.5               |
| Protection Grade   | IP 23                      |                    |
| Insulation grade   | H/H                        |                    |
| Altitude           | m                          | ≤1000              |

### Controller-DEEPSEA

|       |            |
|-------|------------|
| Model | DSE6120MK3 |
|-------|------------|

Protective functions:

- Low oil pressure
- High water temperature
- High/low voltage
- High Engine Temperature and Overspeed.
- Voltage regulator frequency regulator
- Emergency stop
- Start failure



### Control Module Options



- Auto generator control module
- Control module with "Three Remote Control" functions
- ATS auto load transfer screen
- Synchronising control modules
- Power output cabinet



### Standard Features

- Engine(Weichai Baudouin)
- Radiator 50°C max,fans are driven by bel
- 24V charge alternator
- Alternator: single bearing alternator IP23, insulation class H/H
- Standard auto control system
- One set of air filter, fuel filter, oil filter
- Main line circuit breaker/MCCB
- Base fuel tank
- Two 24V batteries, rac and cable
- Exhaust system(Ripple flex exhaust pipe, exhaust siphon, flange, muffler)
- User manual

### Options

- Battery charge
  - Engine heater
  - Alternator heater
  - PMG
  - Water oil separator
  - Daily fuel tank
  - Remote control panel
  - Automatic transfer switch/ATS
  - Switch box
- Standard: ●                      Options:○

### Warranty\*

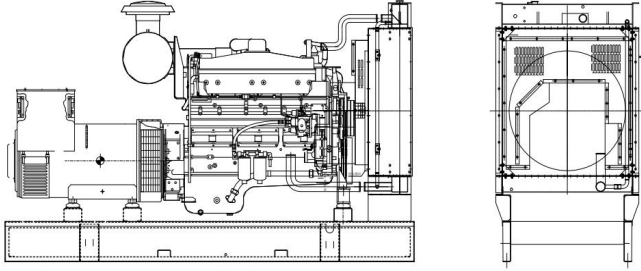
#### Weichai Engine

12 months from date of purchase and 1000 hours.

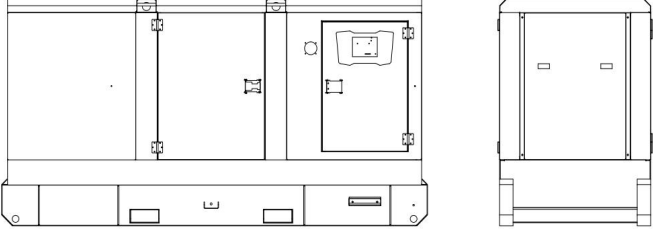
#### Generator

12 months from date of purchase or 1000 hours (whichever occurs first).

### Unit Dimensions(Basic unit)



| <b>Open Type</b> |    |                |
|------------------|----|----------------|
| L*W*H            | mm | 5800*2800*3400 |
| Weight           | kg | 4100           |



| <b>Silent Type</b> |    |       |
|--------------------|----|-------|
| L*W*H              | mm | 40HQ* |
| Weight             | kg |       |



More information, pls refer to our web-site: www.longkaipower.com

Manufacturer reserves the right to make changes in model, technical specification, color, equipment and accessories without notice.